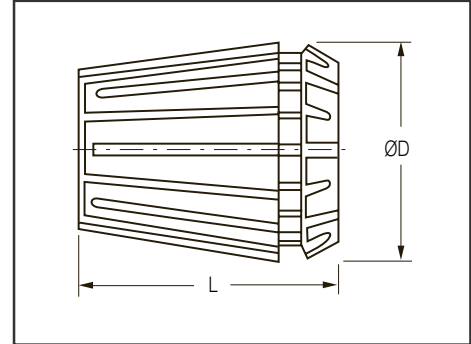


TOOLHOLDERS

COLLETS AND TENSION TAPPING COLLETS

COLLETS

Part Number	Clamping Range	In Increments Of	ØD	L
ER8	0.5 - 5	0.5	8.5	13.5
ER11	0.5 - 7	0.5	11.5	18.0
ER16	0.5 - 10	1.0	17.0	27.5
ER20	1 - 13	1.0	21.0	31.5
ER25	1 - 16	1.0	26.0	34.0
ER32	2 - 20	1.0	33.0	40.0
ER40	3 - 26	1.0	41.0	46.0



TENSION TAPPING COLLETS DIN/ISO/US STANDARD

Shank Ø		Collet Size					
mm	inch	ER11	ER16	ER20	ER25	ER32	ER40
1.40		XT111140	XT116140				
1.60		XT111160	XT116160				
1.80		XT111180	XT116180				
2.00		XT111200	XT116200				
2.20		XT111220	XT116220	XT120220			
2.24		XT111224	XT116224	XT120224			
2.50		XT111250	XT116250	XT120250			
2.80		XT111280	XT116280	XT120280	XT125280		
3.15		XT111315	XT116315	XT120315	XT125315		
3.50			XT116350	XT120350	XT125350		
3.55			XT116355	XT120355	XT125355		
3.58	.141	XT111.141	XT116.141	XT120.141	XT125.141		
4.00			XT116400	XT120400	XT125400		
4.27	.168		XT116.168	XT120.168	XT125.168	XT132.168	
4.50			XT116450	XT120450	XT125450	XT132450	
4.93	.194		XT116.194	XT120.194	XT125.194	XT132.194	
5.00			XT116500	XT120500	XT125500	XT132500	
5.50				XT120550	XT125550	XT132550	
5.59	.220			XT120.220	XT125.220	XT132.220	
5.60				XT120560	XT125560	XT132560	
6.00				XT120600	XT125600	XT132600	XT140600
6.30				XT120630	XT125630	XT132630	XT140630
6.48	.255			XT120.255	XT125.255	XT132.255	XT140.255
7.00				XT120700	XT125700	XT132700	XT140700
7.10					XT125710	XT132710	XT140710
8.00					XT125800	XT132800	XT140800
8.08	.318				XT125.318	XT132.318	XT140.318
8.21	.323				XT125.323	XT132.323	XT140.323
9.00					XT125900	XT132900	XT140900
9.32	.367				XT125.367	XT132.367	XT140.367
9.68	.381				XT125.381	XT132.381	XT140.381
10.00					XT125100	XT132100	XT140100
10.90	.429					XT132.429	XT140.429
11.00						XT132110	XT140110
11.11	.437					XT132.437	XT140.437
11.20						XT132112	XT140112
12.00						XT132120	XT140120
12.19	.480					XT132.480	XT140.480
12.50						XT132125	XT140125
13.77	.542						XT140.542
14.00							XT140140
14.29	.562						XT140.562
14.99	.590						XT140.590
16.00							XT140160
16.56	.652						XT140.652
17.70	.697						XT140.697

